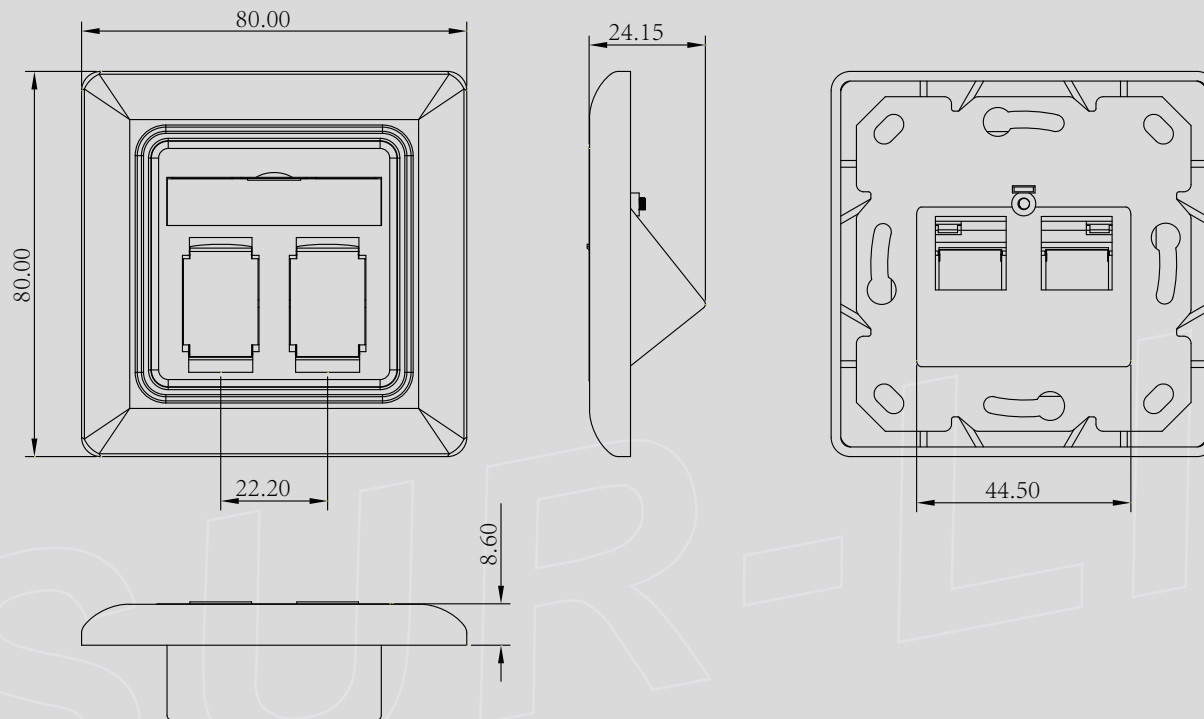


# 80 Type Faceplate, Zinc Alloy, 2Port

SFP-502101



## NOTE:

- 1.MATERIAL : ABS 757 UL94V  
: ZINC ALLOY
- 3.Retentiveness of insertion structure: 50N 60±5s
- 4.BURR : 0.05mm MAX