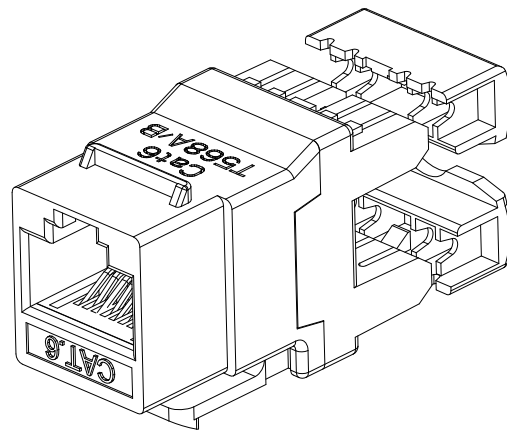
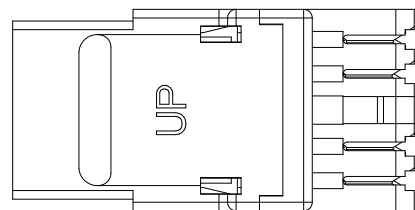
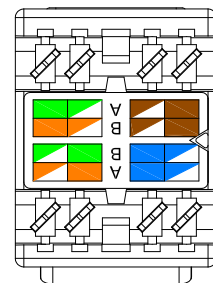
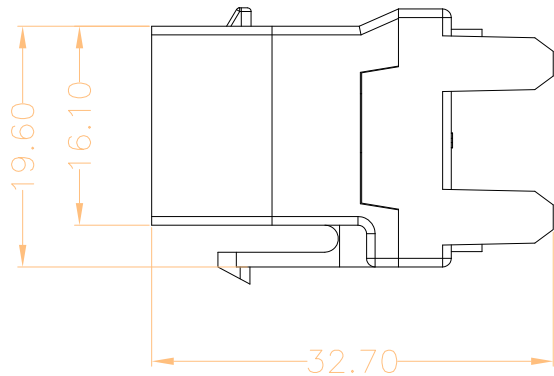
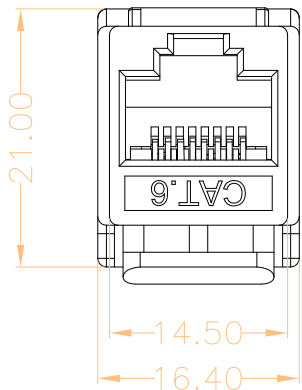
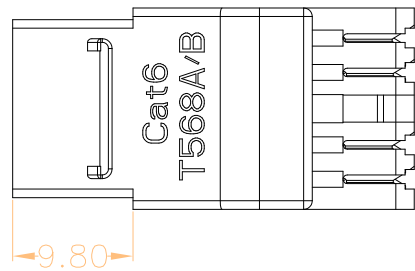


REVISION RECORD				
REV	ECO	DESCRIPTION	DRFT	CHKD



NOTES:

ELECTRICAL:

- VOLTAGE RATING : 125V AC RMS
- CURRENT RATING : 1.5 AMP
- CONTACT RESISTANCE : 20 MILLIOHMS MAX
- INSULATION RESISTANCE : 100 MEGOHMS MIN @ 500V DC
- DIELECTRIC STRENGTH : 750V AC RMS 60Hz,1MIN
- C6 PERMANENT LINK : CONFORM TO ANSI/TIA/EIA-568 B.2-1

ENVIRONMENTAL:

- STORAGE : -40° TO +70°
- OPERATION : -10° TO +60°

MATES WITH MODULAR PLUG CONFORMING TO FCC PART 68, SUBPART F.

MECHANICAL:

- HOUSING MATERIAL : PC
- INSERT MATERIAL : ABS
- PCB MATERIAL : FR-4 T=1.6mm
- CONTACT MATERIAL : PHOSPHOR BRONZE STAMP PIN T=0.35mm
- IDC CONTACT MATERIAL : PHOSPHOR BRONZE T=0.50mm WITH TIN PLATING
- RJ45 JACK LIFE : 750 TIMES MIN
- IDC LIFE : 200 TIMES MIN
- WIRE : AWG 22~24
- TIA Cat 6 Perm. Link Test: Worst pair NEXT margin ≥ 3.0dB
- Retentiveness of insertion structure: 50N 60±5s

DETACHED LISTS	← MM (INCH) →	DFTO QHZ	DATE 2007/08/07
	TOLERANCES EXCEPT AS NOTED	CHKD	DATE
	0.00-20.00 ±0.10	MFO	DATE
	20.00-50.00 ±0.15	APPVL	DATE
	50.00-100.00 ±0.20	REV	DATE
100.00- ±0.25	MATERIAL:		
angle ±30'	PART NO.	SKJ-362101	TITLE
THIRD ANGLE PROJECTION	DRAWING NO.		

SUR-LINK TECHNOLOGY CO., LTD

TITLE

Cat. 6 D型180度模块