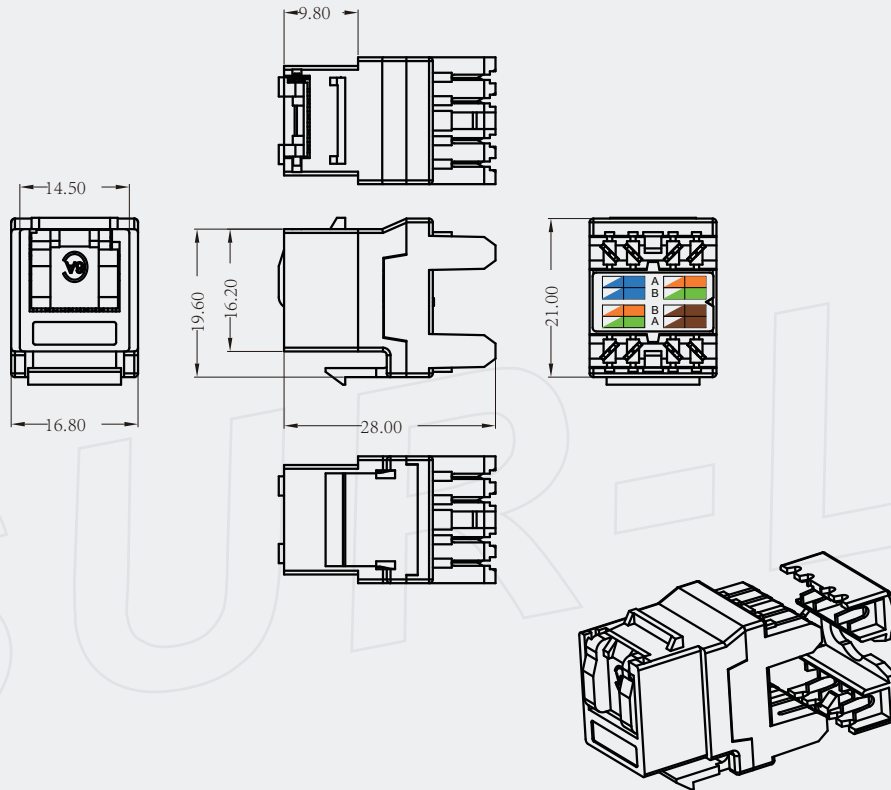


UTP Cat.6A Keystone Jack

SKJ-F621A1-1



NOTES:

ELECTRICAL:

1. VOLTAGE RATING : 125V AC RMS
2. CURRENT RATING : 1.5 AMP
3. CONTACT RESISTANCE : 20 MILLIOHMS MAX
4. INSULATION RESISTANCE : 100 MEGOHMS MIN @ 500V DC
5. DIELECTRIC STRENGTH : 750V AC RMS 60Hz, 1MIN
6. C6A PERMANENT LINK : CONFORM TO ANSI/TIA/EIA-568 B.2-1

ENVIRONMENTAL:

1. STORAGE : -40° TO +70°
2. OPERATION : -10° TO +60°

MATES WITH MODULAR PLUG CONFORMING TO FCC PART 68, SUBPART F.

MECHANICAL:

1. HOUSING MATERIAL : PC
2. INSERT MATERIAL : PC
3. PCB MATERIAL : FR-4 T=1.2mm
4. CONTACT MATERIAL : PHOSPHOR BRONZE STAMP PIN T=0.35mm
5. IDC CONTACT MATERIAL : PHOSPHOR BRONZE T=0.50mm WITH TIN PLATING
6. RJ45 JACK LIFE : 750 TIMES MIN
7. IDC LIFE : 200 TIMES MIN
8. WIRE : AWG 22~24
9. TIA Cat 6a Perm. Link Test: Worst pair NEXT margin \geq 3.0dB
10. Retentiveness of insertion structure : 50N 60 \pm 5s

