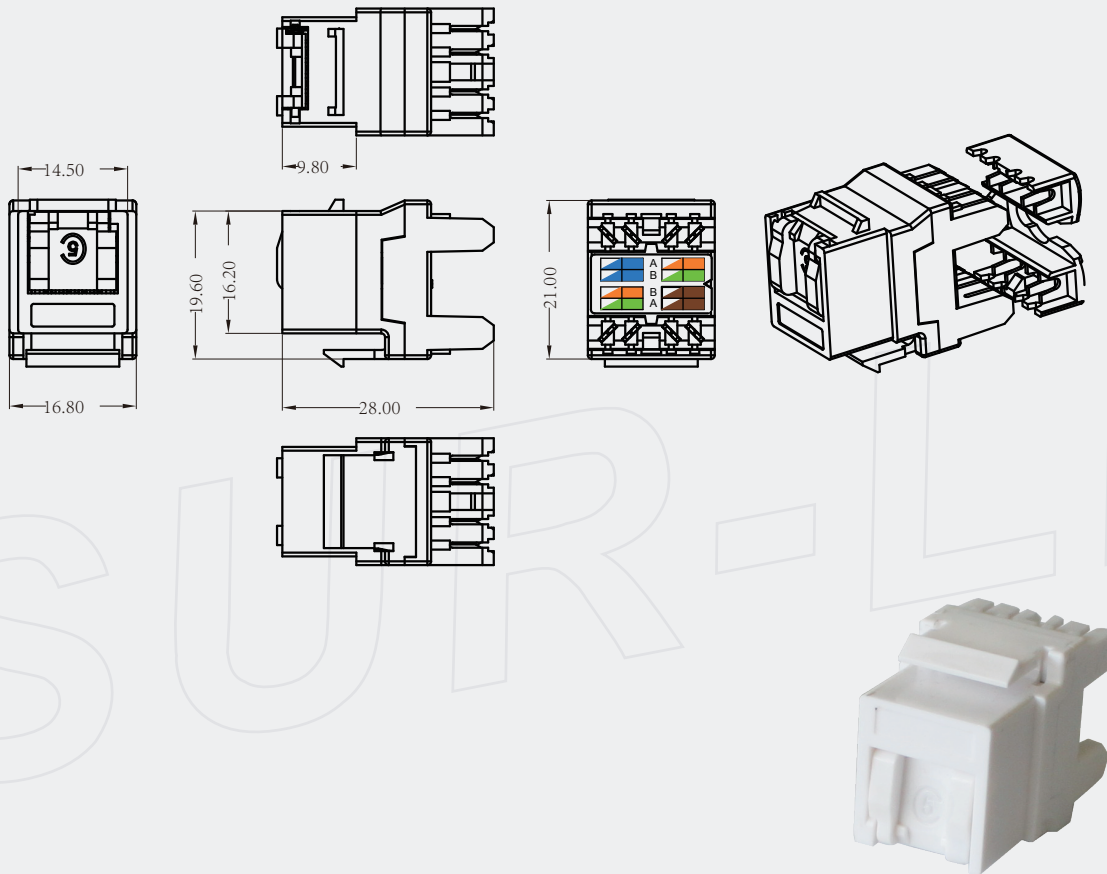


# UTP Cat.5e Keystone Jack

SKJ-F32101-1



**NOTES:**

**ELECTRICAL:**

- 1. VOLTAGE RATING : 125V AC RMS
- 2. CURRENT RATING : 1.5 AMP
- 3. CONTACT RESISTANCE : 20 MILLIOHMS MAX
- 4. INSULATION RESISTANCE : 100 MEGOHMS MIN @ 500V DC
- 5. DIELECTRIC STRENGTH : 750V AC RMS 60Hz, 1MIN

**ENVIRONMENTAL:**

- 1. STORAGE : -40° TO +70°
- 2. OPERATION : -10° TO +60°

CONFORM TO TIA/EIA 568B CATEGORY 5e  
 MATES WITH MODULAR PLUG CONFORMING TO FCC PART 68, SUBPART F.

**MECHANICAL:**

- 1. HOUSING MATERIAL : PC
- 2. INSERT MATERIAL : PC
- 3. PCB MATERIAL : FR-4 T=1.2mm
- 4. CONTACT MATERIAL : PHOSPHOR BRONZE STAMP PIN T=0.35mm
- 5. IDC CONTACT MATERIAL : PHOSPHOR BRONZE T=0.50mm WITH TIN PLATING
- 6. RJ45 JACK LIFE : 750 TIMES MIN
- 7. IDC LIFE : 200 TIMES MIN
- 8. WIRE : AWG 22~24
- 9. TIA Cat 5e Perm. Link Test: Worst pair NEXT margin ≥ 5.0dB
- 10. Retentiveness of insertion structure: 50N 60±5s

**6. CATEGORY 5e CHARACTERISTIC:**

Frequency	Near-End Cross Talk dB, MIN.	Return Loss dB, MIN.	Attenuation dB, MAX.
1.0 MHZ	65.0	35.5	0.1
4.0 MHZ	65.0	35.5	0.1
8.0 MHZ	64.9	35.5	0.1
10.0 MHZ	63.0	35.5	0.1
16.0 MHZ	58.9	35.5	0.2
20.0 MHZ	57.0	34.0	0.2
25.0 MHZ	55.0	32.0	0.2
31.25 MHZ	53.1	30.1	0.2
62.5 MHZ	47.1	24.0	0.3
100.0 MHZ	43.0	20.0	0.4