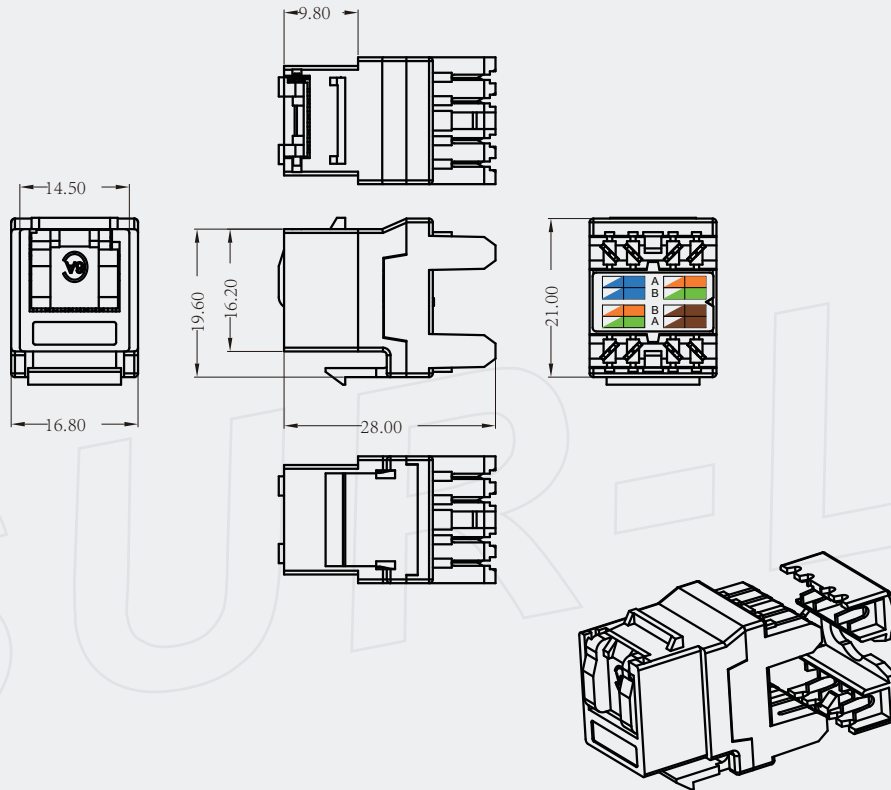


UTP Cat.6A Keystone Jack

SKJ-F621A1-1



NOTES:

ELECTRICAL:

- 1. VOLTAGE RATING : 125V AC RMS
- 2. CURRENT RATING : 1.5 AMP
- 3. CONTACT RESISTANCE : 20 MILLIOHMS MAX
- 4. INSULATION RESISTANCE : 100 MEGOHMS MIN @ 500V DC
- 5. DIELECTRIC STRENGTH : 750V AC RMS 60Hz, 1MIN
- 6. C6A PERMANENT LINK : CONFORM TO ANSI/TIA/EIA-568 B.2-1

ENVIRONMENTAL:

- 1. STORAGE : -40° TO +70°
- 2. OPERATION : -10° TO +60°

MATES WITH MODULAR PLUG CONFORMING TO FCC PART 68, SUBPART F.

MECHANICAL:

- 1. HOUSING MATERIAL : PC
- 2. INSERT MATERIAL : PC
- 3. PCB MATERIAL : FR-4 T=1.2mm
- 4. CONTACT MATERIAL : PHOSPHOR BRONZE STAMP PIN T=0.35mm
- 5. IDC CONTACT MATERIAL : PHOSPHOR BRONZE T=0.50mm WITH TIN PLATING
- 6. RJ45 JACK LIFE : 750 TIMES MIN
- 7. IDC LIFE : 200 TIMES MIN
- 8. WIRE : AWG 22~24
- 9. TIA Cat 6a Perm. Link Test: Worst pair NEXT margin \geq 3.0dB
- 10. Retentiveness of insertion structure : 50N 60 \pm 5s

